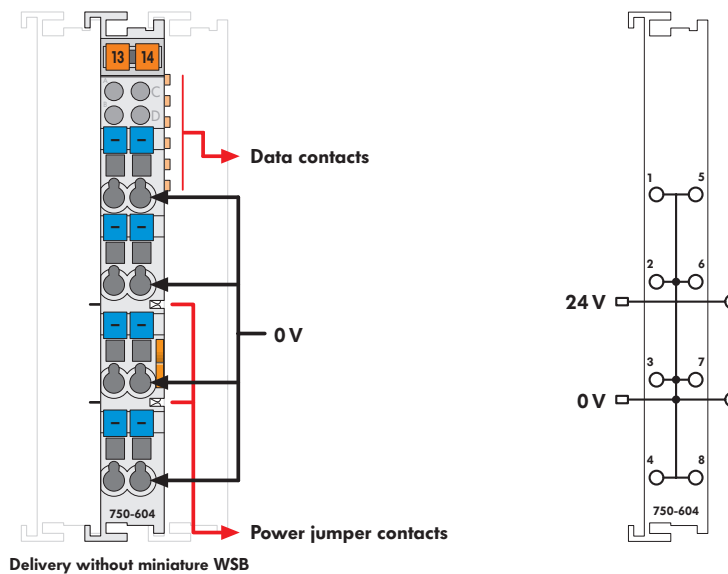





Field Side Connection Module

DC 0V



The field side connection module provides 0 V potential for the outputs of the 8-channel output module 750-530, eliminating external terminal blocks.

The 24 V supply and 0 V potential are derived from the internal power jumper contacts of an adjacent upstream I/O module. A connection of the potentials to the downstream I/O modules is made automatically via the power jumper contacts when snapping the I/O modules together. The 0 V potential is available to all eight field side CAGE CLAMP® connections and the 24 V power is passed through without being used by the module.

Description	Item-No.	Pack.-unit pcs	Technical Data
Field Side Connection	750-604	1	Voltage via power jumper contacts $_{max.}$ DC 24V Current via power jumper contacts $_{max.}$ 10A
General specifications			
Operating temperature	0°C ... +55°C		
Wire connection CAGE CLAMP®	0.08 mm ² ... 2.5 mm ² ; AWG 28 ... 14		
	8 ... 9 mm / 0.33 in stripped length		
Dimensions (mm) W x H x L	12 x 64* x 100		
	* from upper edge of 35 DIN rail		
Weight	ca 40 g		
Storage temperature	-25°C ... +85°C		
Relative air humidity	95% no condensation		
Vibration and shock resistance	acc. to IEC 60068-2-6 acc. to IEC 60068-2-27		
Degree of protection	IP 20		
EMC CE - Immunity to interference	acc. to EN 50082-2 (1996)		
EMC CE - Emission of interference	acc. to EN 50081-1 (1993)		
Approvals			
	see pages 1.10 ... 1.13		
	Class I Div2 ABCD T4A		
Conformity marking	CE		
Accessories			
	Item-No.	Pack.-unit pcs	
	Miniature WSB quick marking system		
	plain 248-501	5	
	with marking see pages 1.174 ... 1.175		