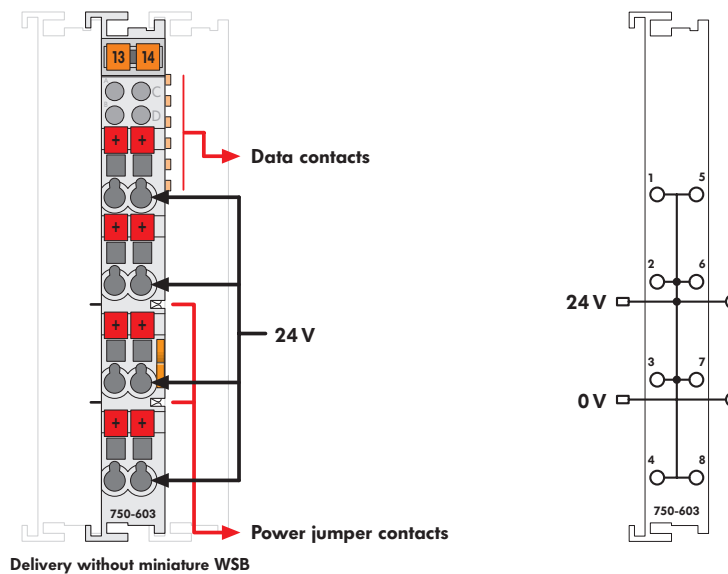


Field Side Connection Module


DC 24 V



Delivery without miniature WSB

The field side connection module provides 24 V power for the inputs of the 8-channel input module 750-430/-431, eliminating external terminal blocks.

The 24 V supply and 0 V potential are derived from the internal power jumper contacts of an adjacent upstream I/O module. A connection of the potentials to the downstream I/O modules is made automatically via the power jumper contacts when snapping the I/O modules together. The 24 V power is available to all eight field side CAGE CLAMP® connections and the 0 V potential is passed through without being used by the module.

| Description | Item-No. | Pack.-unit pcs | Technical Data |
|---|--|---------------------------|---|
| Field Side Connection | 750-603 | 1 | Voltage via power jumper contacts $_{max.}$ DC 24 V Current via power jumper contacts $_{max.}$ 10 A |
| General specifications | | | |
| Operating temperature | 0°C ... +55°C | | |
| Wire connection CAGE CLAMP® | 0.08 mm ² ... 2.5 mm ² ; AWG 28 ... 14 | | |
| | 8 ... 9 mm / 0.33 in stripped length | | |
| Dimensions (mm) W x H x L | 12 x 64* x 100 | | |
| | * from upper edge of 35 DIN rail | | |
| Weight | ca 40 g | | |
| Storage temperature | -25°C ... +85°C | | |
| Relative air humidity | 95% no condensation | | |
| Vibration and shock resistance | acc. to IEC 60068-2-6 acc. to IEC 60068-2-27 | | |
| Degree of protection | IP 20 | | |
| EMC CE - Immunity to interference | acc. to EN 50082-2 (1996) | | |
| EMC CE - Emission of interference | acc. to EN 50081-1 (1993) | | |
| Approvals | | | |
| Conformity marking | CE | | |
| Accessories | | | |
| | Item-No. | Pack.-unit pcs | |
|  | Miniature WSB quick marking system | | |
| | plain 248-501 | 5 | |
| | with marking | see pages 1.174 ... 1.175 | |